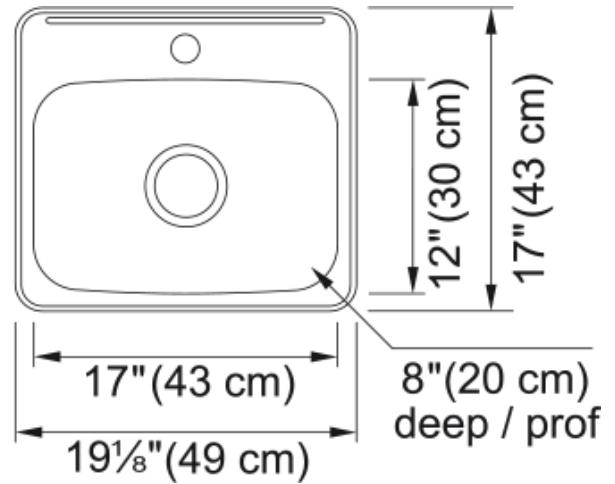


Steel Queen Drop In Sink QSL1719-8-1N | 101.0651.314



Technical Data

Aspect

| | |
|------------------|-----------------|
| Sink type | Sink |
| Type of material | Stainless steel |
| Number of bowls | 1 |
| Color | Steel |
| Surface finish | Silk |

Product Dimensions

| | |
|--------------------------------|--------|
| Exterior size: right to left | 19.291 |
| Exterior size: front to back | 16.929 |
| Large bowl size: right to left | 19.291 |
| Large bowl size: front to back | 11.811 |
| Large bowl: depth | 8 |

Installation

| | |
|----------------------|-----|
| Minimum cabinet size | 21" |
|----------------------|-----|

Product specifications

| | |
|---------------------|--------------------|
| Installation type | Topmount / drop in |
| Drain hole | 3 1/2" |
| Position of drainer | No drainer |

Product identification

| | |
|---------------|-------------|
| Product brand | Kindred |
| Collection | Steel Queen |
| Certified by | CSA |

Features

| | |
|----------------------------|--------------|
| Drainers number | No drainer |
| Product reversibility | No |
| Faucet ledge | Yes |
| Strainer assembly included | No |
| Strainer assembly type | No waste kit |

| | |
|------------------------|----|
| Overflow | No |
| Number of faucet holes | 1 |
| Soap dispenser hole | No |